



# Non-Residential Series

STANDARD DUTY • LIGHT DUTY

Entry Doors





We've been building a reputation for quality since our company was founded over 30 years ago near Sugarcreek, Ohio, in the heart of Amish country, an area well known for quality and craftsmanship.

While old-world craftsmanship is very much a part of our culture, it's supported by modern design techniques and state-of-the-art manufacturing processes. We've created the perfect balance between traditional quality and modern technology.

## Custom Capabilities

The materials, as well as the workmanship, give our custom made doors their exceptional quality and durability, far exceeding what is available in a ready-made door. Unlike consumer grade doors, professional-class doors are customized to your exact measurements for a better fit and a more secure and energy efficient door.

***Entry Systems custom tailored for you - that's The Professional Way!***



## Environmental Stewardship



ProVia®'s ENERGY STAR® certified doors and windows are independently tested and certified to meet strict energy-efficiency standards set by the Environmental Protection Agency. The EPA has awarded ProVia nine times for our entry doors, four for Partner of the Year, four for Partner of the Year – Sustained Excellence, and once for Excellence in Promotion for our outstanding efforts to promote and educate our communities on the importance of saving energy with our Sammy the Star™ ENERGY STAR Educational Program.



At ProVia, not only do we manufacture energy efficient products, but we also exercise corporate environmental stewardship. Here are a few examples:

- We use Honeywell's fourth generation Solstice® Liquid Blowing Agent that was formulated to be nonflammable while significantly lowering global warming potential and improve energy efficiency.
- We recycle paper, metals and glass.
- Solar energy panels are being used at three production facilities as part of the company's effort to lower energy costs.
- Our Pollution Prevention Program dramatically reduced solvent usage.
- To save fuel, our trucks use the TriPac™ Idle Reduction and Temperature Management System.
- Paperless online ordering and internal paperless fax system reduces paper usage.



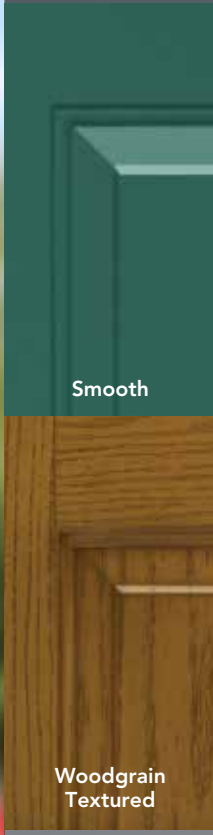
For more information, visit the Environmental Stewardship section of our website at: [provia.com/energy-star](http://provia.com/energy-star)



# STEEL DOORS

## Steel Door Styles

Our steel door features add up to a professional-class product. Whether you select Woodgrain Textured Steel or Smooth Steel, our entry systems will provide an elegant, durable and energy efficient entryway.



### Custom Widths & Heights.

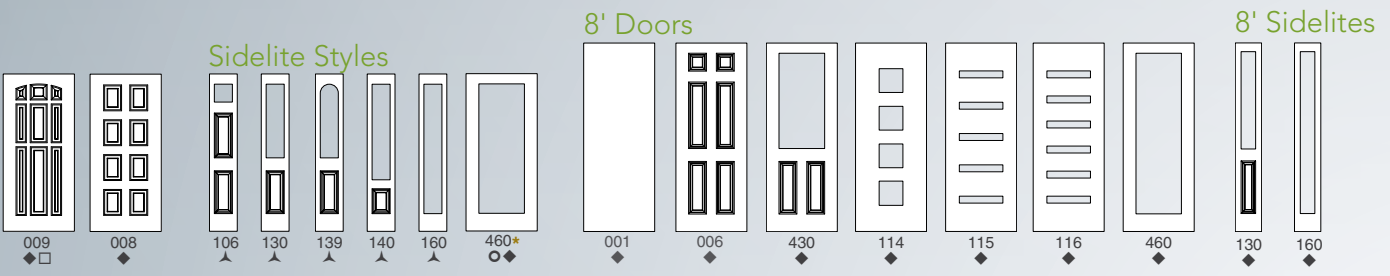
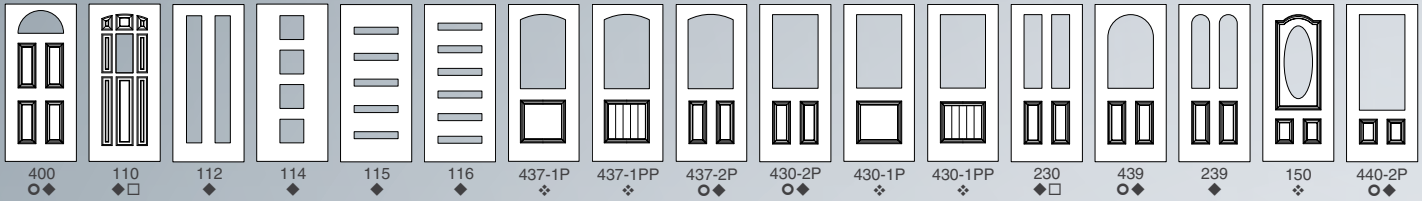
Need a little more height or a little less width? We are pleased to offer customized door widths and heights in 1/8" increments.

See page 17 for Steel paint and stain finishes.



Some ProVia steel doors qualify. Please refer to website for certifying criteria.

## Door Styles See pages 24-27 for glass availability.



- 20-gauge Woodgrain Textured Steel
  - 22-gauge Woodgrain Textured Steel
  - ◆ 20-gauge Smooth Steel
  - ❖ 20-gauge Smooth Steel with High-Definition Embossing
  - ▲ 24-gauge Smooth or Textured Steel (used with all 20 and 22-gauge doors)
- Entry System U-Factor: As low as .17 (Light Duty) or .20 (Standard Duty) (Tested to NFRC specifications for a 6 panel door with wood frame.)

## Steel Door Advantages

**A**

Steel top and bottom endcaps increase rigidity.

**B**

The edges and face skin of our steel doors are **one continuous piece of steel** for strength and durability.

**C**

**Special adhesives/thermal barrier** reduce heat and cold transfer, while our exclusive tab and slot system of **mechanical interlocks** gives the door exceptional structural strength.



**D**

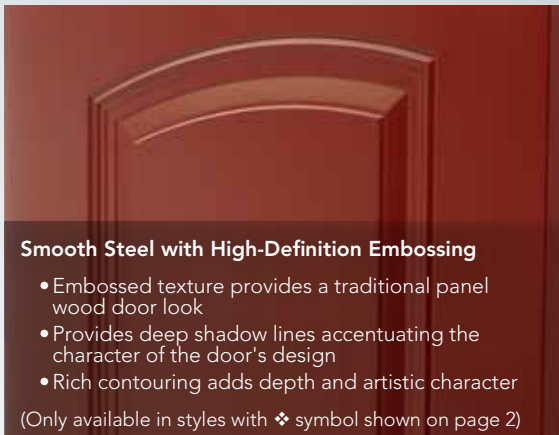
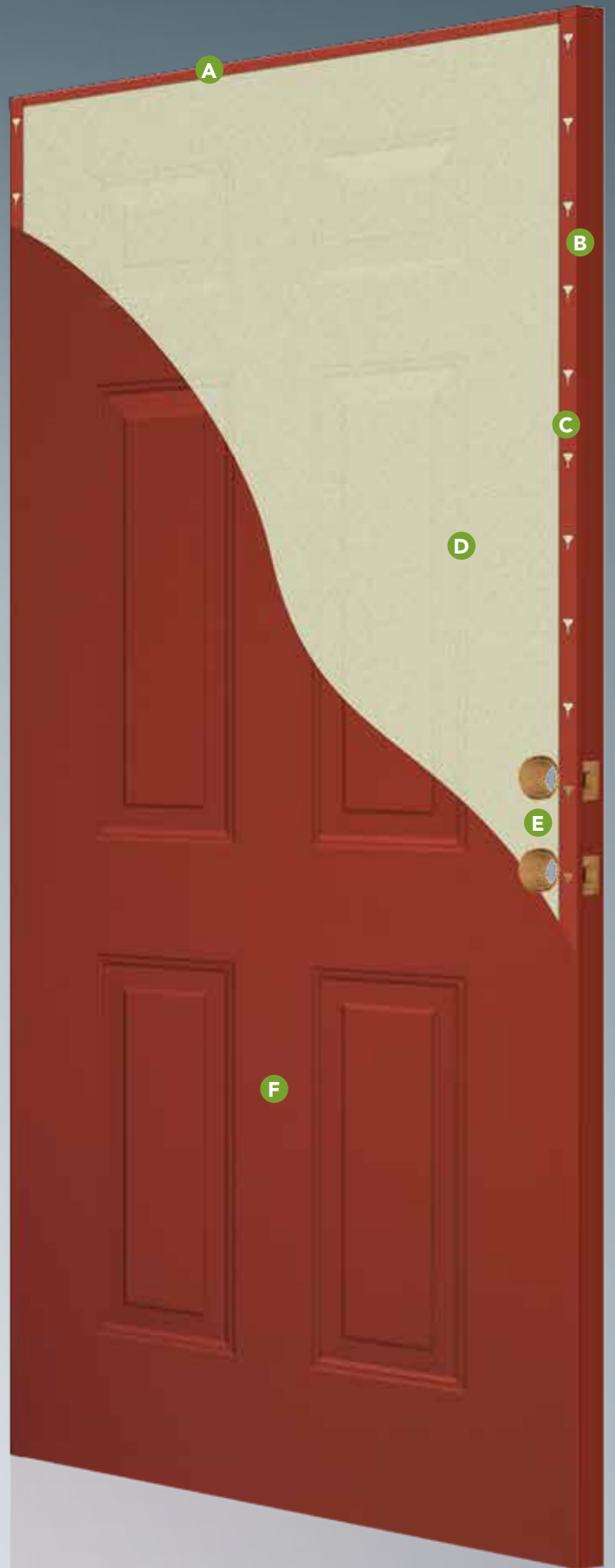
ProVia doors are **foam filled by a computer driven process** that ensures the optimal foam fill for maximum energy efficiency and strength.

**E**

To reinforce the lock and deadbolt area, we add a **rigid composite lock block** to our 20-Gauge Light-Duty steel doors. (Steel Lock Reinforcement is standard on 20-Gauge Standard-Duty entry systems.)

**F**

Our 20-gauge steel doors give you **49% more galvanized steel** than a standard 24-gauge door.



### Smooth Steel with High-Definition Embossing

- Embossed texture provides a traditional panel wood door look
- Provides deep shadow lines accentuating the character of the door's design
- Rich contouring adds depth and artistic character

(Only available in styles with ❖ symbol shown on page 2)

EXIT

# STEEL DOORS



Photo shows  
Panic Rim Device

# 20-Gauge Steel Entry Doors - Standard Duty

Composite Lock Reinforcement

Optional Steel Reinforcement available. (See pg. 18)



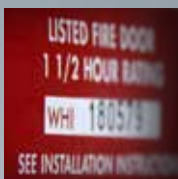
Exclusive Tab and Slot System of Mechanical Interlocks



Four Ball Bearing Hinges



Listed Fire Door 1 1/2 Hour or 20 Minute Rating depending on frame



## 20-GAUGE SMOOTH & TEXTURED STEEL

- Energy Efficient Polyurethane Foam Core
- Architecturally Correct Woodgrain Texture (Textured Steel Only)
- Clean Elegant Smooth Look
- Strong Mechanical Tab and Slot Construction
- Energy Efficient Q-Lon Weatherstripping
- Factory Pre-Finishing is Available

## STEEL DOOR TESTING

Doors have been tested and certified to NFRC (National Fenestration Rating Council) 100 and NFRC 200 guidelines enabling the ENERGY STAR Thermal Performance Qualification.

PHYSICAL ENDURANCE TEST

**Test Performed:** In-House SDI 131 Physical Endurance Test  
**Result:** Level A, 1,000,000

IMPACT TEST

**Test Performed:** In-House ASTM F476 Forced Entry Test  
**Result:** Maximum Security Level of 40

WIND LOAD RATING TEST

**Test Performed:** ASTM E330-97 Structural Performance  
**Result:** DP (Design Pressure) = ±55 psf for 3' 0" x 6' 8" Opaque Inswing Door

ACOUSTICAL PERFORMANCE TEST

**Test Performed:** ASTM E90  
**Result:** Sound Transmission Class (STC) 23

FIRE RESISTANCE TEST

**Test Performed:** CAN4 S 104, UL 10C, NFPA 252  
**Result:** 90 Minute with 16-Gauge Steel Frame

## STEEL DOOR STANDARD SPECIFICATIONS

	Standard duty; 20-gauge (0.032") faces
FACE MATERIAL	Galvannealed steel shall comply with ASTM A 653 and A 924
DOOR TOP & BOTTOM REINFORCEMENTS	Steel Top and Bottom Channels
HINGE REINFORCEMENTS	10-Gauge
HINGES	Four ball bearing hinges
LOCKSET & DEADBOLT REINFORCEMENTS	Minimum thickness of .067" (16-gauge). Thread formed to be the equivalent to 14-gauge.
DOOR CORE	Polyurethane foam filled and fully bonded to face sheets. Total product U-factor as low as 0.20.
FRAME	4 7/8" Full Wood Frame
THRESHOLD	Aluminum Sahara Threshold
PAINT	1 color both sides (inside frame painted to match)
WINDOW TRIM	Standard (where applicable)
CLOSER REINFORCEMENT	14-Gauge
STRIKE LOCATION	42" - 6" Center-to-Center
FRENCH DOORS	Commercial Bypass Astragal

## Additional Available Options:

- Hardware Prep
- Facebore
- 16-Gauge Rim Lock Box
- 16-Gauge Mortise Lock Box
- 14-Gauge Panic Reinforcement
- Panic Hardware Available

- Edge Preps 1" x 2 1/4", 1 1/8" x 2 1/4", 1 1/4" x 8"
- No Face Prep
- Mortise Face Prep
- 1 1/8" or 2 1/8" Cylindrical Lockset Facepreps
- Strike Plate Preps: 2 1/4" or 4 1/8"
- 20 or 90 Minute Fire Rating

- 16-Gauge Hollow Metal Masonry Frame
- 16-Gauge Hollow Metal Drywall Frame
- Threshold Options: No Threshold, Saddle Threshold, ADA Compliant Threshold
- All Glass Styles + Laminated Glass with Cellular PVC Trim, Laminated Glass with Aluminum Trim, Fire Rated Glass and Trim (up to 100 in<sup>2</sup>)



# STEEL DOORS

## 20-Gauge Steel Entry Doors - Light Duty



Composite Lock Reinforcement

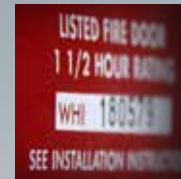
Optional Steel Reinforcement available. (See pg. 18)



Exclusive Tab and Slot System of Mechanical Interlocks



Three Ball Bearing Hinges



Listed Fire Door 1 1/2 Hour or 20 Minute Rating depending on frame

### 20-GAUGE SMOOTH & TEXTURED STEEL

- Energy Efficient Polyurethane Foam Core
- Architecturally Correct Woodgrain Texture (Textured Steel Only)
- Clean Elegant Smooth Look
- Strong Mechanical Tab and Slot Construction

### STEEL DOOR TESTING

Doors have been tested and certified to NFRC (National Fenestration Rating Council) 100 and NFRC 200 guidelines enabling the ENERGY STAR Thermal Performance Qualification.

PHYSICAL ENDURANCE TEST	—	<b>Test Performed:</b> In-House SDI 131 Physical Endurance Test <b>Result:</b> Level A, 1,000,000
IMPACT TEST	—	<b>Test Performed:</b> In-House ASTM F476 Forced Entry Test <b>Result:</b> Maximum Security Level of 40
WIND LOAD RATING TEST	—	<b>Test Performed:</b> ASTM E330-97 Structural Performance <b>Result:</b> DP (Design Pressure) = ±55 psf for 3' 0" x 6' 8" Opaque Inswing Door
ACOUSTICAL PERFORMANCE TEST	—	<b>Test Performed:</b> ASTM E90 <b>Result:</b> Sound Transmission Class (STC) 25
FIRE RESISTANCE TEST	—	<b>Test Performed:</b> CAN4 S 104, UL 10C, NFPA 252 <b>Result:</b> 90 Minute with 18-Gauge Steel Frame

### STEEL DOOR STANDARD SPECIFICATIONS

FACE MATERIAL	—	20-gauge (0.032") faces Galvannealed steel shall comply with ASTM A 653 and A 924
DOOR TOP & BOTTOM REINFORCEMENTS	—	Fiberglass Channels (For fire-rated doors, or doors with closers, Steel Channels are used)
HINGE REINFORCEMENTS	—	20-Gauge
HINGES	—	Three ball bearing hinges
DOOR CORE	—	Polyurethane foam filled and fully bonded to face sheets. Total product U-factor as low as 0.17.
FRAME	—	4 5/8" Full Wood Frame
THRESHOLD	—	Aluminum Sahara Threshold
PAINT	—	1 color both sides
WINDOW TRIM	—	Standard (where applicable)
EDGE PREP	—	1" x 2 1/4"
LOCKSET & DEADBOLT STRIKEPLATE PREP	—	Standard (3 3/4") (2 1/4") 5 1/2" Center-to-Center
LOCKSET	—	Schlage F51N Georgian Knob
DEADBOLT	—	Schlage B60 Thumbturn (Grade 1)
HARDWARE REINFORCEMENT	—	Composite Lock Block
FRENCH DOORS	—	T Astragal. 5 1/2" Center-to-Center

### Additional Available Options:

- 16-Gauge Rim Lock Box
- 16-Gauge Mortise Lock Box
- No Edge Prep
- No Face Prep
- 20-Gauge Closer Reinforcement
- Mortise Lock Box

- Edge Preps 1 1/8" x 2 1/4", or 1 1/4" x 8" or Trilennium
- Mortise Face Prep
- 1 1/8" or 2 1/8" Cylindrical Lockset Facepreps
- 2 1/8" Cylindrical Deadbolt Face Prep
- 4 1/8" Strike Plate Prep
- 20 or 90 Minute Fire Rating

- 18-Gauge Hollow Metal Masonry Frame
- 18-Gauge Hollow Metal Drywall Frame
- 18-Gauge Redi-Flex Adjustable Steel Frame
- Threshold Options: No Threshold, Saddle Threshold, ADA Compliant Threshold
- All Glass Styles + Laminated Glass with Standard Trim, Laminated Glass with Aluminum Trim, Fire Rated Glass and Trim (up to 100 in<sup>2</sup>)

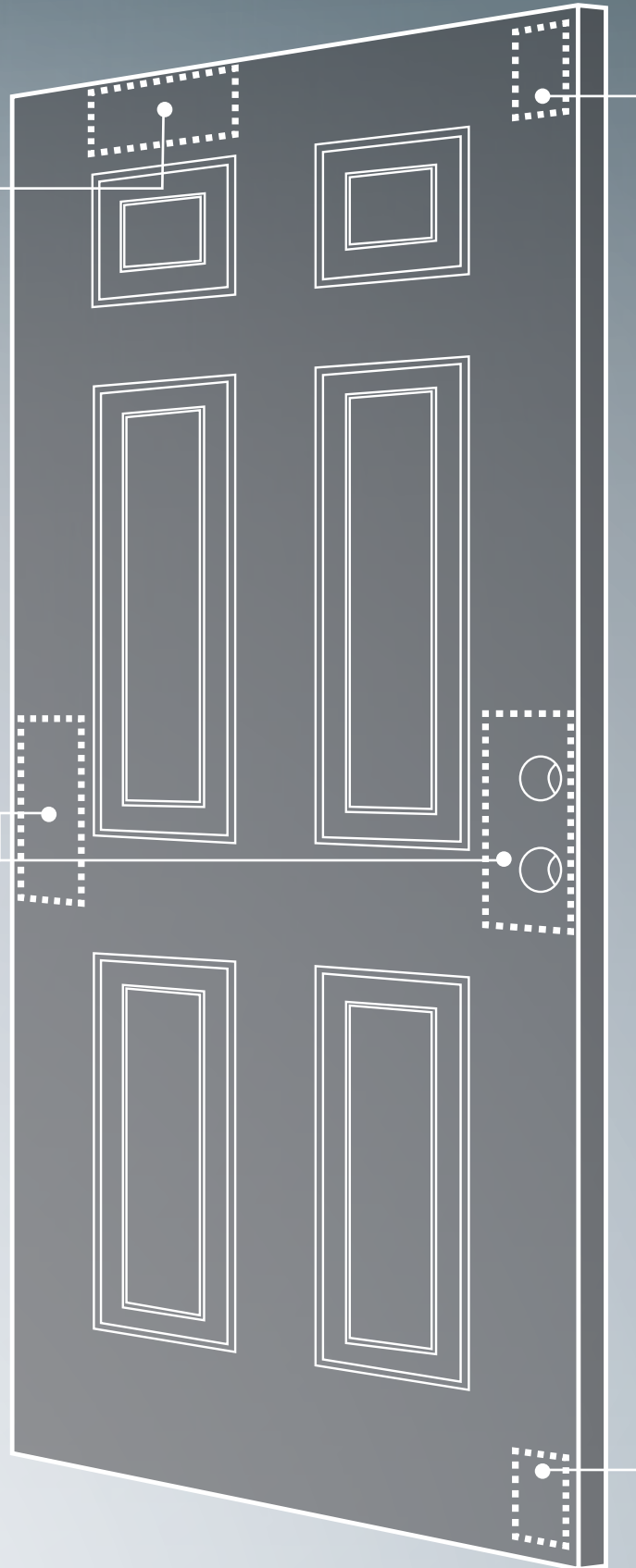


# Prepping and Reinforcement Options

**Closer Reinforcement**  
(14-Gauge Reinforcement)

**Panic Rim Reinforcement**

**Panic Hardware Vertical Rod Reinforcements**



# FIBERGLASS DOORS

## Fiberglass Door Styles

Our Fiberglass doors are available in Cherry, Mahogany, Oak, Fir and Smooth Series. Structurally, our door is far superior to traditional fiberglass doors with robust hardwood stiles and rails dovetailed at each corner. All fiberglass doors exhibit our exclusive DuraFuse™ finishing system featuring P<sup>3</sup> Fusion which gives our doors lasting finish durability.



Most ProVia Fiberglass doors are certified. Please refer to our website for certifying criteria.

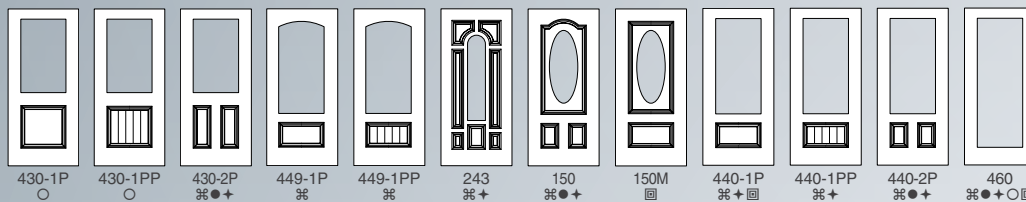
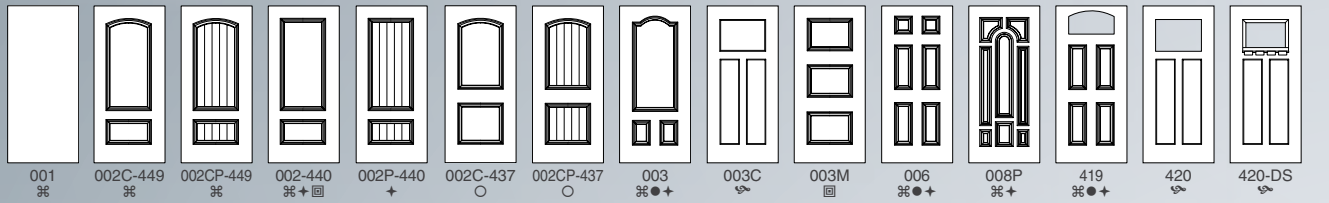
### Custom Widths & Heights.

Need a little more height or a little less width? We are pleased to offer customized door and sidelite widths and heights in 1/8" increments.

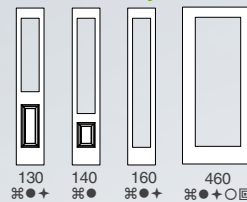
See page 17 for Fiberglass paint and stain finishes.

Patent Pending

## Door Styles See pages 24-27 for glass availability.



### Sidelite Styles



## 8' Doors Not available as French Doors



## 8' Sidelite

- ☞ Cherry Series
- Mahogany Series
- + Oak Series
- Knotty Alder Series
- ☞ Fir Series
- ☒ Smooth Series
- ◆ Only available in 42" x 96" size



## Fiberglass Advantages



**A** Stiles and rails are dovetailed and glued at each corner creating a structurally solid, integrated frame.



**B** The 4¼" finger-jointed 4-ply hardwood strike and hinge stiles provides a solid mounting surface for decorative hardware and superior structural integrity.

*Note: Light-Duty fiberglass doors have a 2½" 3-ply hinge stile.*

**C** ProVia doors are foam filled by a computer driven process that ensures the optimal foam fill for maximum efficiency and strength.

The authentic wood look is made possible by using cutting-edge nickel vapor deposition technology.

Scientifically formulated compounds provide superior resistance to denting, splitting, cracking and warping.

**D** High-definition panel profile creates excellent shadow lines and distinct panel designs.

The revolutionary DuraFuse Finishing System featuring P<sup>3</sup> Fusion yields unprecedented finish durability.

**E** Door edge is constructed with cherry, mahogany, oak or fir wood matching the selected series.

**F** A high-performance, composite material is utilized on all fiberglass bottom rails, giving excellent rot-resistance.

Fiberglass entry systems come standard with an anodized bronze threshold with a complementary riser.

The inside door frame is hand stained or painted to match your door providing you with a consistent visual appearance.



Simulated Divided Lites for Fiberglass Doors.



# FIBERGLASS DOORS

## Fiberglass Entry Doors - Standard Duty



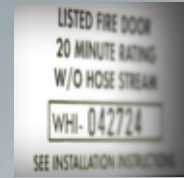
4 1/4" Finger-jointed 4-ply hardwood hinge and strike stile



Stiles and rails are dovetailed and glued at each corner



Four Ball Bearing Hinges



Listed Fire Door 20 Minute Rating (with specialty core)

### FIBERGLASS

- Realistic Woodgrain Appearance from nickel vapor deposition technology
- Energy Efficient Polyurethane Foam Core
- Architecturally Correct Woodgrain Texture
- Strong Solid Wood Perimeter Frame
- Aluminum Threshold is Standard
- Energy Efficient Q-Lon Weatherstripping
- Factory Pre-Finished
- DuraFuse Finishing System Featuring P<sup>3</sup> Fusion

### FIBERGLASS DOOR TESTING

Doors have been tested and certified to NFRC (National Fenestration Rating Council) 100 and NFRC 200 guidelines enabling the ENERGY STAR Thermal Performance Qualification.

IMPACT TEST	<b>Test Performed:</b> ASTM F476 Forced Entry Test <b>Result:</b> Maximum Security Level of 40
WIND LOAD RATING TEST	<b>Test Performed:</b> ASTM E330-97 Structural Performance <b>Result:</b> DP (Design Pressure) = ±55 psf for 3' 0" x 6' 8" Opaque Inswing Door
ACOUSTICAL PERFORMANCE TEST	<b>Test Performed:</b> ASTM E90 <b>Result:</b> STC=26 Standard Opaque Door
FIRE RESISTANCE TEST	<b>Test Performed:</b> NFPA 252, CAN4 S 104, UL10C <b>Result:</b> 20 Minute Category A

### FIBERGLASS DOOR STANDARD SPECIFICATIONS

	Fiberglass Slab with High Definition Woodgrain Face
FRAME	4 7/8" Full Wood Frame
DOOR TOP & BOTTOM REINFORCEMENTS	Poplar Top Rail & Composite Bottom Rail
PERIMETER	4-Ply, Finger-Jointed Solid Wood
DOOR EDGES	Door edges of Cherry, Oak, Mahogany and Fir
DOOR CORE	Polyurethane Core: Foamed in place polyurethane with a U-factor as low as .17
HINGES	Four Ball Bearing Hinges
THRESHOLD	Bronze Sahara Threshold
HARDWARE	None
FACEBORN/EDGE PREP	None
WARRANTY	Non-Residential Warranty
PAINT	1 color both sides (inside frame painted to match)
WINDOW TRIM	Standard (where applicable)
STRIKE LOCATION	42"
LOCKSET & DEADBOLT PREP	6" Center to Center
FRENCH DOORS	Commercial Bypass Astragal (96" French Doors are not available)

### Additional Available Options:

- Wood Closer Reinforcement
- Wood Panic Reinforcement
- Panic Hardware Available
- No Face Prep
- Mortise Face Prep

- Edge Preps 1" x 2 1/4", 1 1/8" x 2 1/4", 1 1/4" x 8"
- 2 1/8" Cylindrical Deadbolt Facepreps
- 1 5/8" or 2 1/8" Cylindrical Lockset Facepreps
- Strike Plate Preps: 2 1/4" or 4 7/8"
- 20 Minute Fire Rating

- 16-Gauge Hollow Metal Masonry Frame
- 16-Gauge Hollow Metal Drywall Frame
- Threshold Options: No Threshold, Saddle Threshold, ADA Compliant Threshold
- All Glass Styles



# Fiberglass Entry Doors - Light Duty

4 1/4" Finger-jointed 4-ply hardwood strike stile



Stiles and rails are dovetailed and glued at each corner



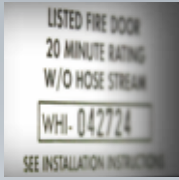
2 3/8" Finger-jointed 3-ply hardwood hinge stile



Three Ball Bearing Hinges



Listed Fire Door 20 Minute Rating (with specialty core)



## FIBERGLASS

- Realistic Woodgrain Appearance from nickel vapor deposition technology
- Energy Efficient Polyurethane Foam Core
- Architecturally Correct Woodgrain Texture
- Strong Solid Wood Perimeter Frame
- Aluminum Threshold is Standard
- Energy Efficient Q-Lon Weatherstripping
- Factory Pre-Finished
- DuraFuse Finishing System Featuring P<sup>3</sup> Fusion

## FIBERGLASS DOOR TESTING

Doors have been tested and certified to NFRC (National Fenestration Rating Council) 100 and NFRC 200 guidelines enabling the ENERGY STAR Thermal Performance Qualification.

IMPACT TEST	<b>Test Performed:</b> ASTM F476 Forced Entry Test <b>Result:</b> Maximum Security Level of 40
WIND LOAD RATING TEST	<b>Test Performed:</b> ASTM E330-97 Structural Performance <b>Result:</b> DP (Design Pressure) = ±55 psf for 3' 0" x 6' 8" Opaque Inswing Door
ACOUSTICAL PERFORMANCE TEST	<b>Test Performed:</b> ASTM E90 <b>Result:</b> STC=26 Standard Opaque Door
FIRE RESISTANCE TEST	<b>Test Performed:</b> NFPA 252, CAN4 S 104, UL10C <b>Result:</b> 20 Minute Category A

## FIBERGLASS DOOR STANDARD SPECIFICATIONS

	Fiberglass Slab with High Definition Woodgrain Face
FRAME	4 3/8" Full Wood Frame
DOOR TOP & BOTTOM REINFORCEMENTS	Poplar Top Rail & Composite Bottom Rail
PERIMETER	4-Ply, Finger-Jointed Solid Wood (Strike Side) 3-Ply, Finger-Jointed Solid Wood (Hinge Side)
DOOR EDGES	Door edges of Cherry, Oak, Mahogany and Fir
DOOR CORE	Polyurethane Core: Foamed in place polyurethane with a U-factor as low as .17
HINGES	Three Ball Bearing Hinges
THRESHOLD	Bronze Sahara Threshold
HARDWARE	None
EDGE PREP	1" x 2 1/4"
WARRANTY	Non-Residential Warranty
PAINT	1 color both sides (inside frame painted to match)
WINDOW TRIM	Standard (where applicable)
STRIKE LOCATION	34 3/4"
LOCKSET & DEADBOLT PREP	5 1/2" Center to Center
FRENCH DOORS	T Astragal (96" French Doors are not available)

## Additional Available Options:

- Wood Closer Reinforcement
- No Face Prep
- Mortise Face Prep
- No Edge Preps
- 2 1/2" Cylindrical Deadbolt Facepreps

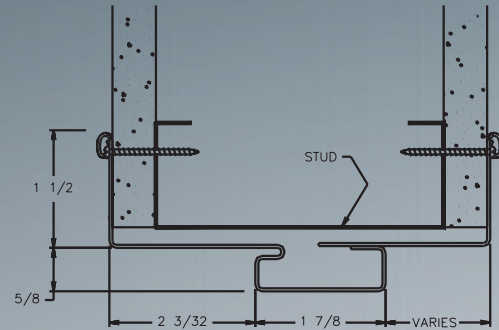
- 1 3/8" or 2 1/8" Cylindrical Lockset Facepreps
- Strike Plate Preps: 2 1/4" or 4 3/8"
- 20 Minute Fire Rating
- Edge Preps 1 1/8" x 2 1/4", or 1 1/4" x 8" or Trilennium
- 18-Gauge Hollow Metal Masonry Frame

- 18-Gauge Hollow Metal Drywall Frame
- 18-Gauge Redi-Flex Adjustable Steel Frame
- Threshold Options: No Threshold, Saddle Threshold, ADA Compliant Threshold
- All Glass Styles

# INSTALLATION FRAMES

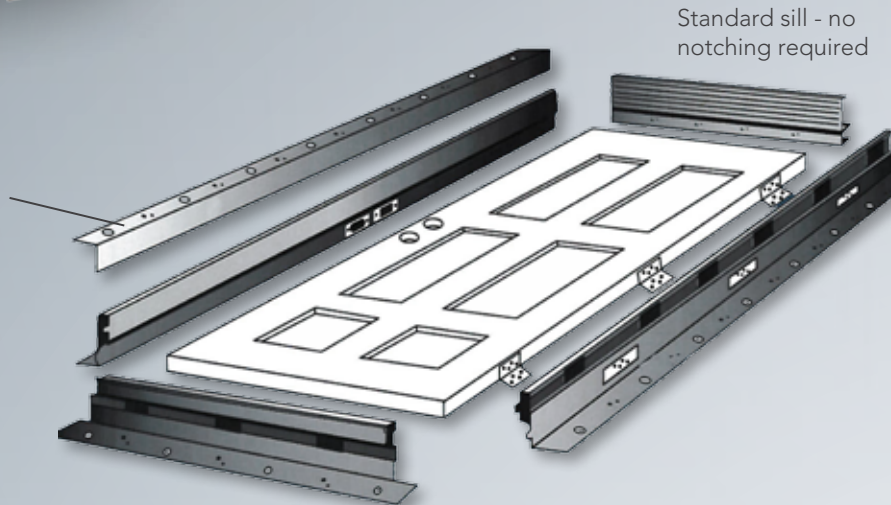
## Redi-Flex® Adjustable Steel Frame

(Light Duty only)



- Adjustable Throat Frame Designed for Prehang Applications
- 4" to 12½" wall sizes (1" adjustment). Wall thickness greater than 7½" will be special order.
- ⅝" Stop Height
- Standard Frame is Cold-Rolled Steel per ASTM A366
- Prepped with Anchoring Holes with Vision Slot for Wood Casing
- 90 Minute Positive Pressure Fire Rating
- S56 Steel Colonial Casing, Aluminum Casing, or Steel Casing Prep Optional
- Accommodates Non-standard Wall Size
- Also Available With Panic Rim Hardware

18-gauge trim piece.  
Available for walls 4½" to 12½" in 1" increments.  
Wall thickness greater than 7½" will be special order.



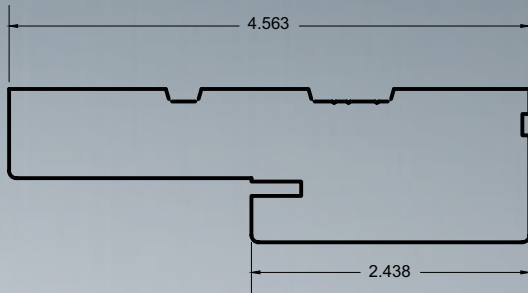
### Redi-Flex Adjustable Steel Frame

Rough Opening Sizes	Redi-Flex Adjustable Steel Frame			
	20-Gauge Steel Standard Duty	20-Gauge Steel Light Duty	Fiberglass Standard Duty	Fiberglass Light Duty
32" x 80" Single Door Width x Height	N/A	33 x 81½"	N/A	33 x 81½"
32" & 36" x 80" Single Door Width x Height	N/A	37 x 81½"	N/A	37 x 81½"



# Full Wood Frame

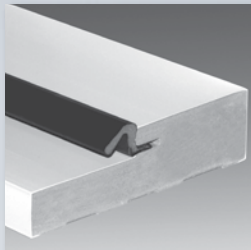
(Light Duty and Standard Duty)



- Available In Custom Frame Depths
- 20-Gauge Steel Security Plate at Strike Area
- Endgrain is Treated to prevent rotting



## COMPOSITE FRAME OPTION



Our Composite door frame system option combines all the strength and convenience of wood with enhanced properties that make it moisture and insect resistant. Composite frame will not absorb or wick moisture and will never rot or splinter.

- Smooth white finish (inside frame rabbet is painted to match inside door color)
- Standard 4<sup>7</sup>/<sub>16</sub>" frame depth
- Available for steel or fiberglass doors
- Available for Single doors, French doors, Sidelites and Rectangle Transoms
- Standard Brickmold, Brickmold with Nailing Fin, 3<sup>1</sup>/<sub>2</sub>" Flat Brickmold, 5<sup>1</sup>/<sub>2</sub>" Flat or Custom Width Flat Brickmold up to 5<sup>3</sup>/<sub>8</sub>"†
- Frame Extensions from 4<sup>3</sup>/<sub>4</sub>" up to 12<sup>7</sup>/<sub>16</sub>"
- Custom Mullion Build-Up between door and sidelite†

† Requires cladding for the entire unit.



## FRAME CLADDING OPTION

- PVC Coated Aluminum Cladding
- Match Most of Our Paint Colors
- Pre-Fitted for Custom Frame Depths
- Completely Maintenance Free Exterior
- No Follow-Up Painting is Required
- Now Available in Four Smooth Cladding Colors.

## Full Wood Frame

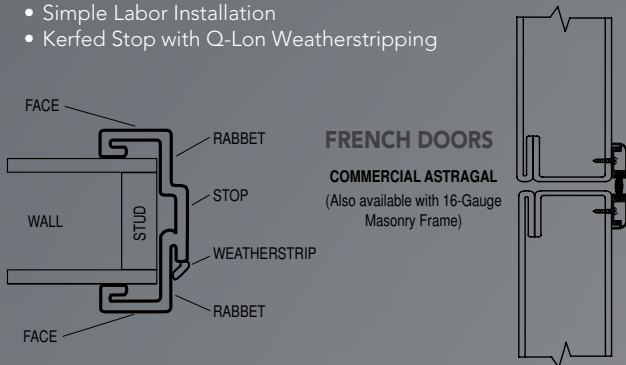
Rough Opening Sizes				
	20-Gauge Steel Standard Duty	20-Gauge Steel Light Duty	Fiberglass Standard Duty	Fiberglass Light Duty
36" x 80" Single Door Width x Height	38" x 82"	38" x 82"	38" x 82"	38" x 82"
72" x 80" French Door Width x Height	74 <sup>1</sup> / <sub>2</sub> " x 82"	75" x 82"	74 <sup>1</sup> / <sub>2</sub> " x 82"	75" x 82"
36" x 80" With One 12" Sidelite Combo Door Width x Height	51 <sup>1</sup> / <sub>16</sub> " x 82"	51 <sup>1</sup> / <sub>16</sub> " x 82"	51 <sup>1</sup> / <sub>16</sub> " x 82"	51 <sup>1</sup> / <sub>16</sub> " x 82"

# INSTALLATION FRAMES

## 16-Gauge Hollow Metal Drywall Frame (Standard Duty - 4 Hinges)



- 16-Gauge, A40 Galvanized Steel Construction
- Knock-Down Design
- 18-Gauge Corner Reinforcements to Maintain Proper Miter Alignment
- Built-in Strike Mortised Boxes
- Welded-In Steel Compression Anchors for Drywall Applications
- Tab and Slot Construction
- 12-Gauge Hinge Reinforcements on 4" Hinges
- 16-Gauge Doors Have Four Hinges
- Pre-Finished to Match Door Slab (optional)
- Simple Labor Installation
- Kerfed Stop with Q-Lon Weatherstripping



**FRENCH DOORS**  
**COMMERCIAL ASTRAGAL**  
(Also available with 16-Gauge Masonry Frame)

### WIDTH

Nominal Door Width	Rough Opening Width
30"	32"
32"	34"
34"	N/A
36"	38"
42"	44"
60"	61½"
64"	65½"
72"	73½"

### HEIGHT

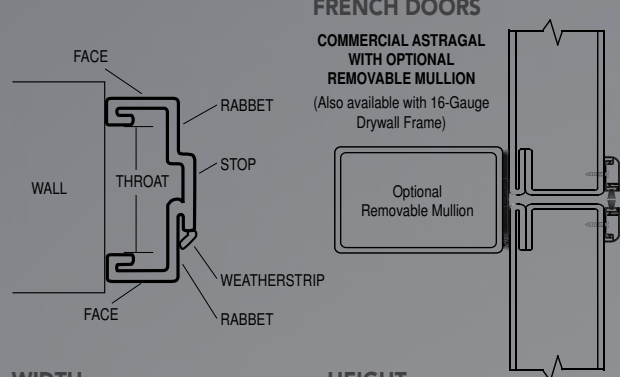
Nominal Door Height	Rough Opening Height
80"	80¾"
84"	N/A

- 5¾" Jamb Depth
- 4¾" Throat

## 16-Gauge Hollow Metal Masonry Frame (Standard Duty - 4 Hinges)



- 16-Gauge, A40 Galvanized Steel Construction
- Knock-Down Design
- Welded-In Expansion Bolt Anchors for Masonry Frames
- Built-in Strike Mortised Boxes
- Tab and Slot Construction
- 12-Gauge Hinge Reinforcements on 4" Hinges
- 16-Gauge Doors Have Four Hinges
- Pre-Finished to Match Door Slab (optional)
- Simple Labor Installation
- Kerfed Stop with Q-Lon Weatherstripping



### FRENCH DOORS

**COMMERCIAL ASTRAGAL**  
**WITH OPTIONAL**  
**REMOVABLE MULLION**  
(Also available with 16-Gauge Drywall Frame)

### WIDTH

Nominal Door Width	Rough Opening Width
30"	34¾"
32"	36¾"
34"	38¾"
36"	40¾"
42"	46¾"
60"	64¾"
64"	68¾"
72"	76¾"

### HEIGHT

Nominal Door Height	Rough Opening Height
80"	82¾"
84"	86¾"

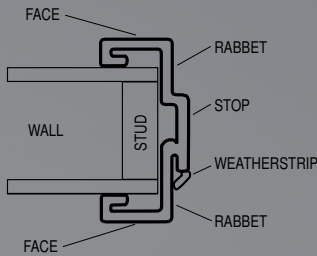
- 5¾" Jamb Depth
- 4¾" Throat



## 18-Gauge Hollow Metal Drywall Frame (Light Duty - 3 Hinges)



- 18-Gauge, A40 Galvanized Steel Construction
- Knock-Down Design
- 18-Gauge Corner Reinforcements to Maintain Proper Miter Alignment
- Built-in Strike Mortised Boxes
- Welded-In Steel Compression Anchors for Drywall Applications
- Tab and Slot Construction
- 12-Gauge Hinge Reinforcements on 4" Hinges
- 18-Gauge Doors Have Three Hinges
- Pre-Finished to Match Door Slab (optional)
- Simple Labor Installation
- Kerfed Stop with Q-Lon Weatherstripping



### WIDTH

Nominal Door Width	Rough Opening Width
30"	31½"
32"	33½"
34"	N/A
36"	37½"
42"	43½"
60"	62"
64"	66"
72"	74"

### HEIGHT

Nominal Door Height	Rough Opening Height
80"	80¾"
84"	N/A

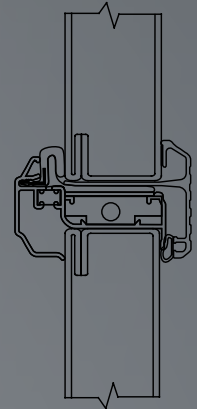
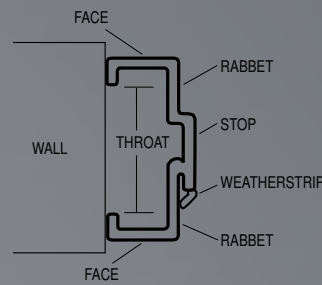
- 5¾" Jamb Depth
- 4¾" Throat

## 18-Gauge Hollow Metal Masonry Frame (Light Duty - 3 Hinges)



- 18-Gauge, A40 Galvanized Steel Construction
- Knock-Down Design
- Welded-In Expansion Bolt Anchors for Masonry Frames
- Built-in Strike Mortised Boxes
- Tab and Slot Construction
- 12-Gauge Hinge Reinforcements on 4" Hinges
- 18-Gauge Doors Have Three Hinges
- Pre-Finished to Match Door Slab (optional)
- Simple Labor Installation
- Kerfed Stop with Q-Lon Weatherstripping

### FRENCH DOORS



### WIDTH

Nominal Door Width	Rough Opening Width
30"	34¾"
32"	36¾"
34"	38¾"
36"	40¾"
42"	46¾"
60"	64¾"
64"	68¾"
72"	76¾"

### HEIGHT

Nominal Door Height	Rough Opening Height
80"	82¼"
84"	86¼"

- 5¾" Jamb Depth
- 4¾" Throat

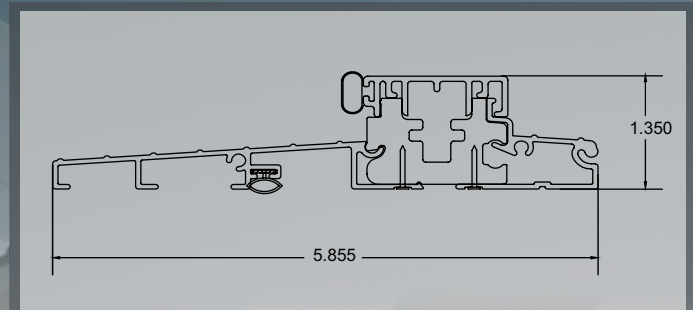
# THRESHOLDS

ProVia offers a variety of thresholds for your entryway needs.

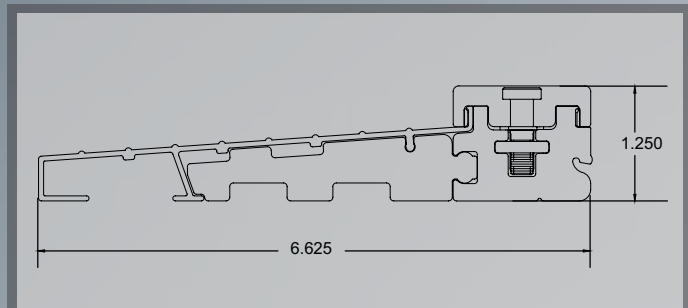
## THRESHOLD AVAILABILITY

	Redi-Flex Steel Frame	18 & 16-Gauge Steel Frame	Full Wood Frame
NC Outswing Threshold	●		●
NC Inswing Threshold	●		●
ADA Compliant 4" Saddle Threshold	●	●	
Inswing ADA Compliant Threshold	●		●
Outswing ADA Compliant Threshold	●		●

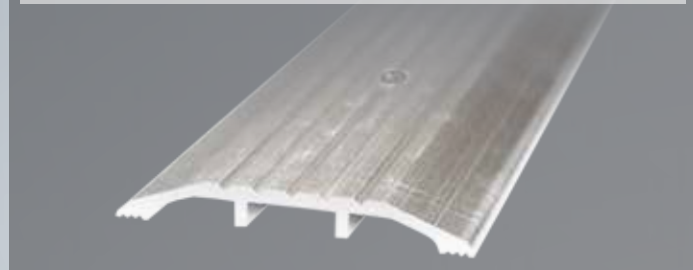
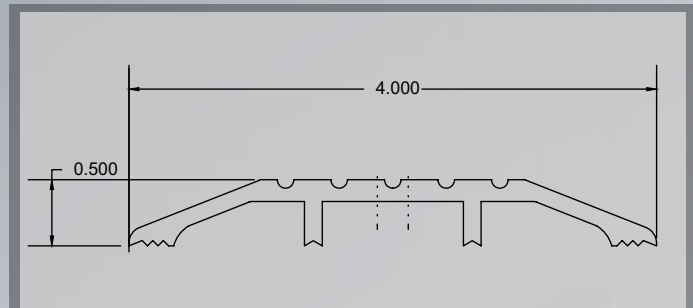
## NC OUTSWING THRESHOLD



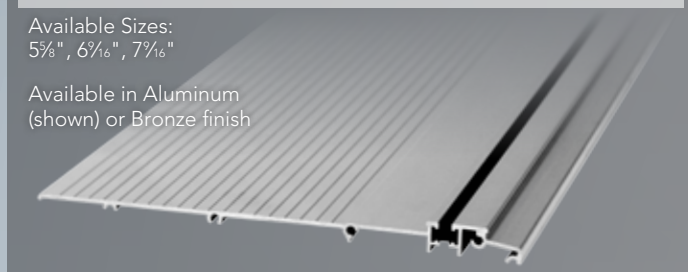
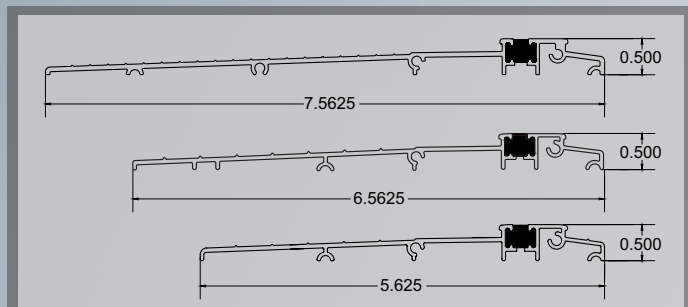
## NC INSWING THRESHOLD



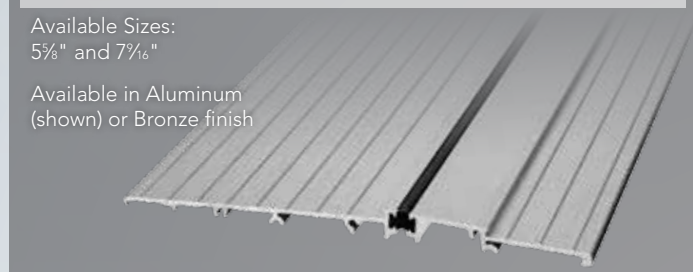
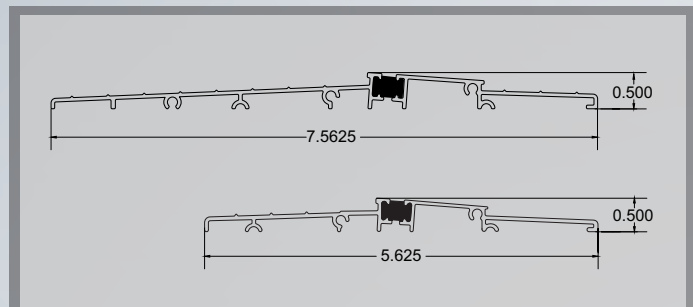
## ADA APPROVED 4" SADDLE THRESHOLD



## INSWING ADA COMPLIANT THRESHOLD



## OUTSWING ADA COMPLIANT THRESHOLD

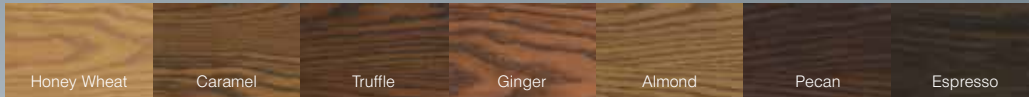


## Fiberglass Stain Colors

### Cherry and Mahogany Stains

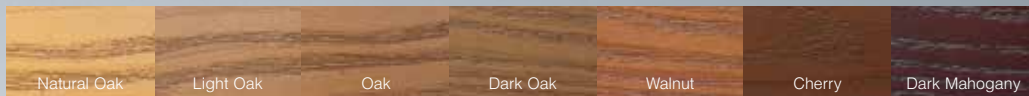


### Oak, Knotty Alder and Fir Stains



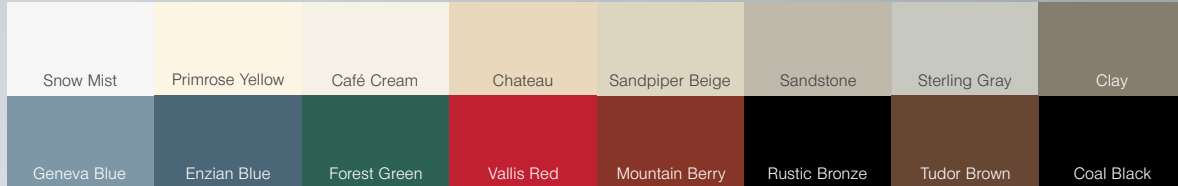
To select stain color, refer to our color selector for accurate color representation.

## Woodgrain Textured Steel Stain Colors



To select stain color, refer to our color selector for accurate color representation.

## Standard Paint Colors *For all Fiberglass & Steel Doors*



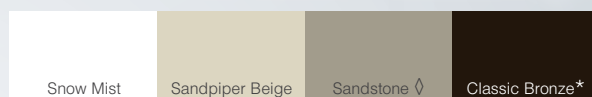
To select paint color, refer to our color selector for accurate color representation.

## Aluminum Pre-Fit Cladding *(Matching Caulking Available)*



To select color, refer to our color selector for accurate color representation.

## TUFTEX Smooth Cladding *Aluminum trim coil with mar-resistant smooth finish*



◇ Smooth Sandstone cladding is a close match, but not an exact match to Sandstone paint color.

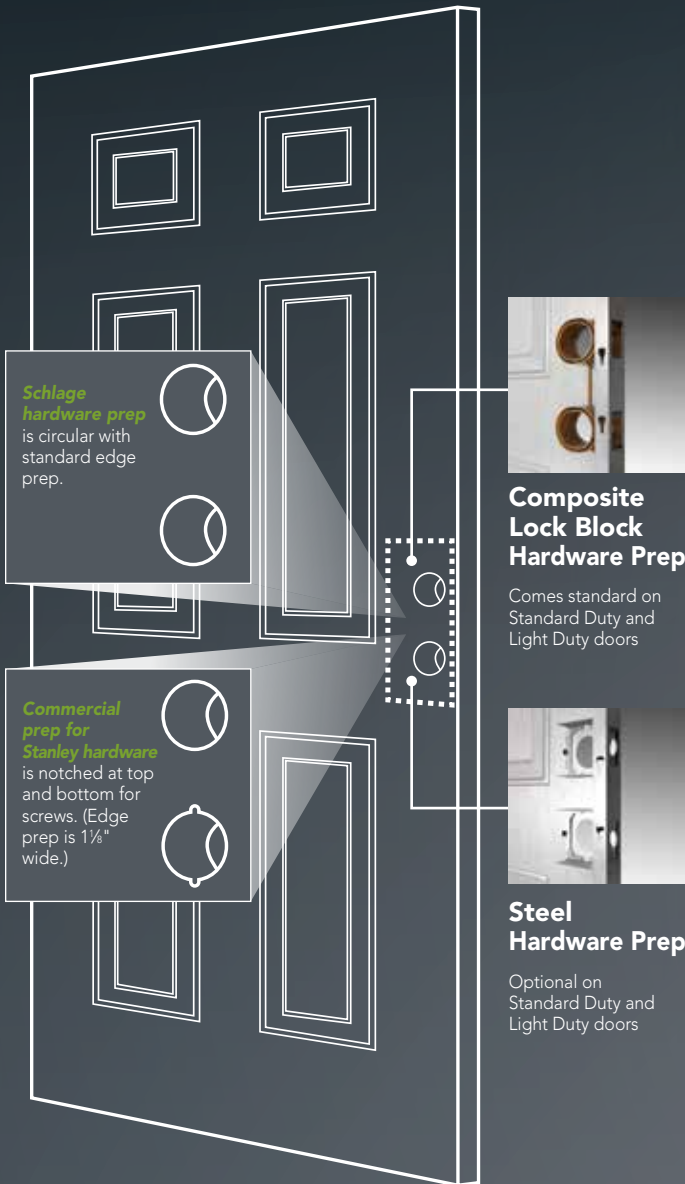
\* Smooth Classic Bronze cladding does not match Rustic Bronze cladding color or Rustic Bronze paint color.



## Schlage® Series

### Schlage Classic Door Locksets & Deadbolts

- Deadbolts: Grade 1 BHMA
- Locksets: ANSI A156.2, 1996, Series 4000 Grade 2
- Standard Duty / Light Duty



Accent/Addison Keyed Lockset  
(not available in Bright Brass)



Accent Keyed Lockset\*



Georgian Key in Knob Lockset\*



Georgian Key in Knob Lockset (interior view showing turn lock)\*



Latitude Lever with Century Trim Keyed Lockset  
(only available in Satin Nickel and Aged Bronze finish)



Latitude Lever with Collins Trim Keyed Lockset  
(only available in Satin Nickel finish)



Maximum Security Double Key 1" Deadbolt❖



Addison Trim  
(not available in Bright Brass finish)



Maximum Security Interior Only 1-Sided Thumbturn 1" Deadbolt ⬇

(Only available in 20-Gauge Steel or Fiberglass with Full Wood Frame)



Century Trim  
(only available in Satin Nickel and Aged Bronze finish)



Maximum Security Thumbturn 1" Deadbolt\*

Standard Duty Standard Hardware Prep height is 42" from the floor. Light Duty Standard Hardware Prep height is 34 3/4" from the floor.

Panic Hardware Standard Prep height is 40 3/16" (New Construction Thresholds) to 40 15/16" (ADA Compliant Thresholds) from the floor.

Panic bar height may be lowered to 33 3/8" - 34 5/8" (dependant on threshold) from the floor to avoid interference with embossing or window trim.

All Schlage Classic Series hardware is available in these finishes

10-Year & 1-Year Bright Brass	1-Year Antique Brass
10-Year Satin Nickel	10-Year Aged Bronze

❖ Interior Only 1-Sided Thumbturn Deadbolts on any door which is used for egress may be a safety hazard in times of emergency. Double key deadbolts on residences and any door in any structure which is used for egress are a safety hazard in times of emergency.

\* Available in Fire-Rated version to meet NFPA Specifications Required on Fire-Rated Doors

Note: Stanley Hardware Requires Vertical Notch Prep (see drawing on page 18)



## 100 Series Heavy Duty Grade 1 Lever Locks and Deadbolts



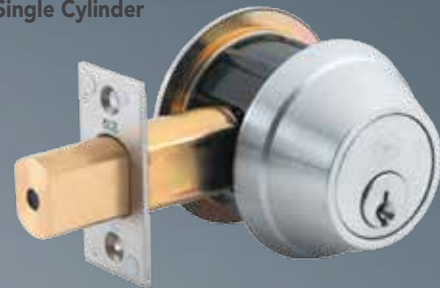
**Sierra**  
(Store Room Function - outside lever is always locked. Entrance by key only. Inside lever is always unlocked and free for immediate egress.)

**Summit**

**Slate\***

\* Slate handle is recommended for doors with glass that is half-lite or larger. The window trim will not interfere with the operation of the straight Slate handle.

### Single Cylinder



#### PERFORMANCE FEATURES

- Tested to exceed 1,000,000 cycles, exceeding the 800,000 required to meet Grade 1 certification.
- Standard Clutching Mechanism provides resistance to damage caused by physical force.
- Thru-Bolted design and heavy-duty spring tension provides longer performance life and prevents lever sag.
- Concealed mounting screws.
- Compartmentalized packaging allows for quick and easy installation.

#### PERFORMANCE FEATURES

- Tested to exceed 1,000,000 cycles, exceeding the 250,000 required to meet Grade 1 certification.
- Solid forged housing provides enhanced strength and durability.
- Full 1" (25.4mm) throwbolt with saw resistant hardened steel roller pin.
- Anti-drill design - two (2) ball bearings inserted to prevent drill attacks.
- ADA thumbturn.
- Compartmentalized packaging allows for quick and easy installation.

#### CERTIFICATIONS

- ANSI/BHMA A156.2 Series Grade 1
- ANSI A117.1 Accessibility Code (ADA Compliant)
- UL/cUL Listed (3-hours) for "A" Label Single door applications (4' x 8') (1.219mt x 2.438mt)
- UL10C / UBC 7-2 (1997) Positive Pressure Rated
- California State Reference Code (formerly Title 19 - Fire Marshall)

#### CERTIFICATIONS

- ANSI/BHMA A156.5 Grade 1
- UL/cUL Listed (3-hours) for "A" Label Single door applications (4' x 8') (1.219mt x 2.438mt)
- UL10C / UBC 7-2 (1997) Positive Pressure Rated

#### Available finishes

626 Satin Chrome

613 Oil Rubbed Bronze

#### Available finish

626 Satin Chrome

613 Oil Rubbed Bronze

# HARDWARE

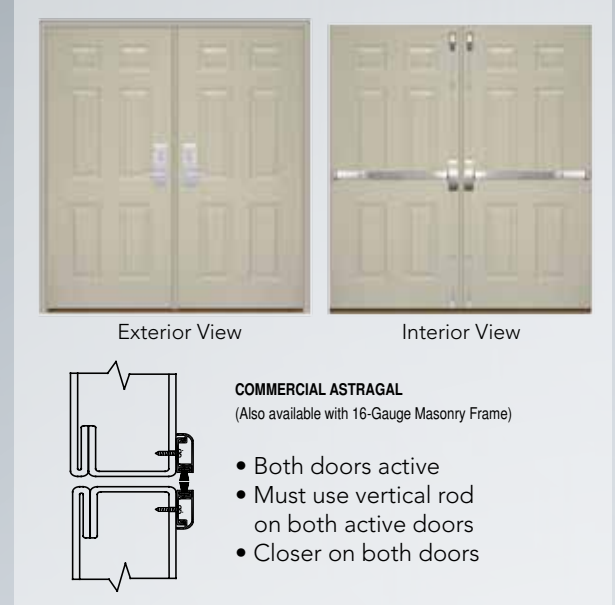
## French (Double) Doors



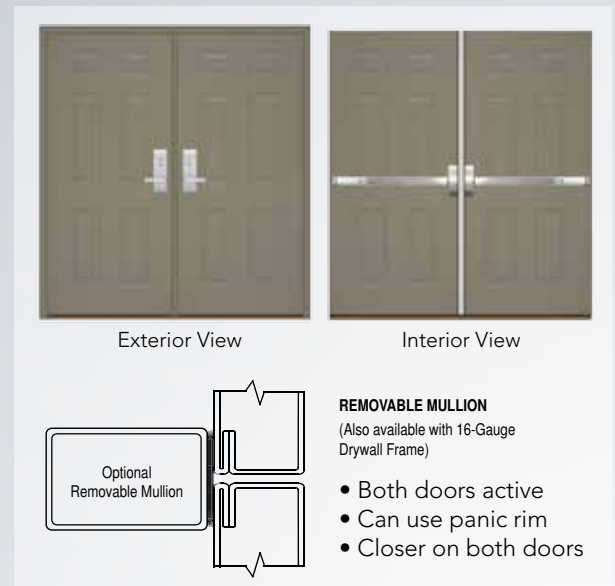
### STD. HEAVY-DUTY ASTRAGAL - 1 door active, 1 inactive



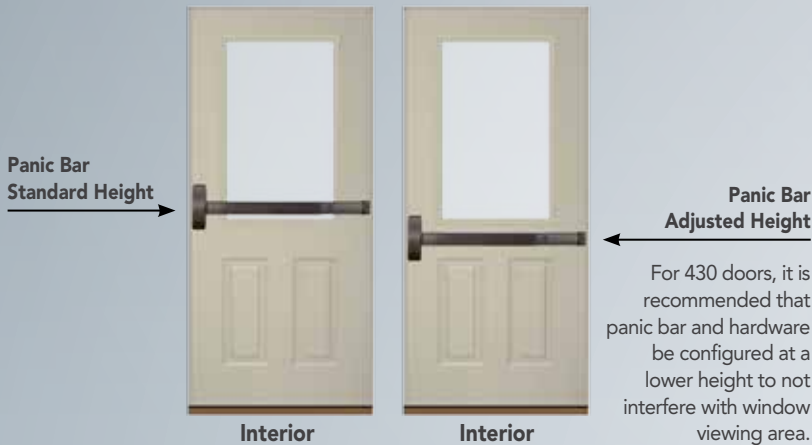
### COMMERCIAL ASTRAGAL - Both doors active



### KEY REMOVABLE MULLION - Both doors active



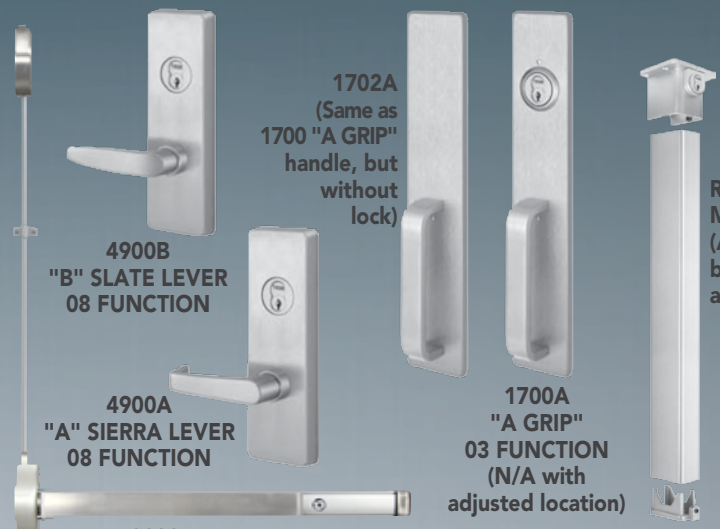
### PANIC BAR HEIGHTS





# Stanley® Panic Hardware

ALL PANIC  
HARDWARE IS  
NOW **FACTORY  
INSTALLED ON  
THE DOOR**



**4900B**  
"B" SLATE LEVER  
08 FUNCTION

**4900A**  
"A" SIERRA LEVER  
08 FUNCTION

**1702A**  
(Same as  
1700 "A GRIP"  
handle, but  
without  
lock)

**1700A**  
"A GRIP"  
03 FUNCTION  
(N/A with  
adjusted location)

**REMOVABLE  
MULLION**  
(Available for  
both Apex  
and Reliant)

**808A**  
"A" SUMMIT LEVER  
08 FUNCTION

**702A**  
"A GRIP"

**703A**  
"A GRIP"  
03 FUNCTION

**APEX 2200**  
INTERIOR PANIC BAR WITH VERTICAL ROD WITH HEX DOG  
(APEX 2100 - FOR RIM ONLY)

**RELIANT 5100**  
INTERIOR PANIC BAR HEX DOG  
(N/A on 240, 243, 350, 440, 449, 460 & 112 doors)

## APEX 2000 SERIES PERFORMANCE FEATURES

- Tested 10 Million Cycles.
- Thru bolted Trim design.
- Multiple functions & styles.
- Investment Cast Construction.
- Vandal Resistant Lever Trim.
- Adjustable, investment cast stainless steel strikes.
- Low profile end caps.
- Smooth contour, no exposed fasteners.

## CERTIFICATIONS

- BHMA Certified ANSI 156.3 Grade 1
- ADA Compliant
- UL10C and UBC 7-2 for fire

## PRODUCT SPECIFICATIONS

- **Door Thickness** - 1 3/4" standard (44.5mm).
- **Latchbolt** - Stainless Steel, Deadlocking, 3/4" throw.
- **Strike** - Black Powder Coated Investment Cast Stainless Steel.
- **Head Cap & End Cap** - Heavy wrought bronze or aluminum.
- **Dogging** - Hex standard - Cylinder dogging available.
- Available as Rim only or Rim with vertical rod.
- Removable Mullion Available.

## KEYING

- All exterior handles shown above are standard with Schlage C keyway Cylinder
- Schlage C keyway Cylinder available on panic bar

## FUNCTIONS

- **03** - Outside entrance by pull handle when latch bolt is retracted by key. Door can only be opened when the key is turned. Key removable only when locked (Night Latch).
- **08** - Key locks/unlocks lever.

## Available finishes

628 Satin Aluminum

613 Oil Rubbed Bronze

## RELIANT 5000 SERIES PERFORMANCE FEATURES

The Reliant 5000 Series is the Exit Device of choice when an economical and reliable exit device is required. All Reliant 5000 Series Exit Devices are UL listed for panic and fire hardware and are certified to ANSI A156.3 Grade 1. The Reliant Series is available in durable powder coat finishes with a variety of trim styles and functions. The chassis is constructed of stainless steel and covers the standard type 161 door preparation.

## CERTIFICATIONS

- BHMA Certified ANSI 156.3 Grade 1
- UL10C and UBC 7-2 for fire

## PRODUCT SPECIFICATIONS

- **Door Thickness** - 1 3/4" standard (44.5mm).
- **Latchbolt** -Stainless Steel, Deadlocking, 3/4" throw.
- **Strike** - Black Powder Coated, Investment Cast Stainless Steel.
- **Active Case** - Stainless Steel.
- **Dogging** - 1/4 turn hex key dogging standard. Cylinder dogging available. NOT available on Fire Exit hardware.
- Available as Rim only.
- Removable Mullion Available.

## KEYING

- All exterior handles shown above are standard with Schlage C keyway Cylinder
- Schlage C keyway Cylinder available on panic bar

## FUNCTIONS

- **03** - Outside entrance by pull handle when latch bolt is retracted by key. Door can only be opened when the key is turned. Key removable only when locked (Night Latch).
- **08** - Key locks/unlocks lever.

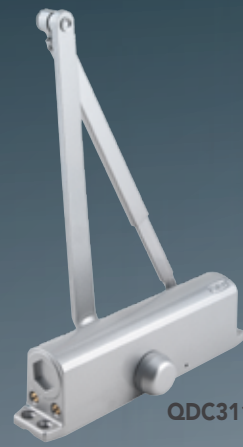
## Available finishes

689 Aluminum Painted

695 Dark Bronze Painted

# HARDWARE

## Stanley® Closer



QDC311  
TRI-PACK ARM



QDC312  
HOLD-OPEN ARM

### PERFORMANCE FEATURES

- Tested to exceed the performance requirements for Grade 1 certification
- Fully adjustable from 1-6 allowing for maximum flexibility
- Delayed Action and Backcheck are standard in the same door closer body
- All weather oil insures optimal operational performance in multiple climate conditions
- Sized for interior doors to 4' 6"; exterior doors to 4' 0"

### CERTIFICATIONS



- ANSI/BHMA A156.4 Series Grade 1
- ANSI A117.1 Accessibility Code
- UL/cUL Listed (3-hours) for self-closing doors without hold-open
- UL10C Positive Pressure Rated
- UL10B Pressure Rated

### PRODUCT SPECIFICATIONS

- **Handing** - All QDC300 Series door closers are non-handed
- **Material** - Cast aluminum
- **Cover** - Full, architectural plastic cover option available
- **Arms & Brackets** - Tri-pack standard (Regular, Top Jamb, Parallel configurations). Hold Open and Dead Stop arms also available.
- **Arm Material** - Heat treated carbon steel
- **Springs** - High impact hand drawn steel wires
- **Pinions** - Heat treated chrome molybdenum steel
- **Cylinder construction** - Heat treated free-cutting carbon steel
- **Fasteners** - Wood and machine screws standard

Door Weights & Sizes		Door Width Ranges	
Size	Applicable Door Weight	Interior	Exterior
1	33~55 lbs (15~30 kg)	32"	28"
2	56~99 lbs (30~45 kg)	36"	32"
3	99~143 lbs (45~55 kg)	42"	36"
4	143~187 lbs (65~85 kg)	48"	42"
5	187~264 lbs (85~120 kg)	54"	48"
6	264~330 lbs (120~150 kg)	58"	54"

### Available finishes

689 Aluminum Painted

695 Bronze Painted

ALSO AVAILABLE:

## Norton® Closer



1601

Available finishes

689 Aluminum

690 Bronze

696 Gold

**ELECTRONIC STRIKE PLATE**  
(For Panic Rim Applications)



**9600 SURFACE MOUNTED HARDWARE**

**PRODUCT SPECIFICATIONS**

- ANSI 250.13-2003 Severe Windstorm listed
- Florida Building Code Approved (FL#14307)
- UL 1034 burglary-resistant listed and suitable for outdoor use
- UL 294 (6th Edition) listed
- ANSI/BHMA, A156.31 Grade 1 (#E09731, #E09732, #E09737)
- RoHS compliant
- Patent # 6,390,520

**FRAME APPLICATION**

- Metal
- Wood

**ELECTRICAL**

- .45 Amps at 12 VDC continuous duty
- .25 Amps at 24 VDC continuous duty
- PoE friendly

**Additional Hardware Options**

**ELECTRONIC STRIKE PLATE**  
(For Cylindrical Applications)



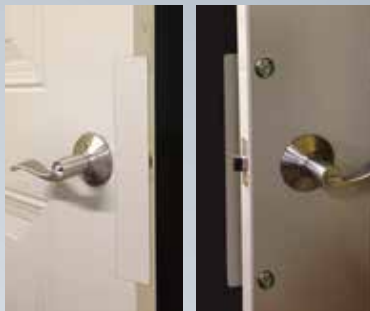
**5100 VON DUPRIN**

**PRODUCT SPECIFICATIONS**

- Voltage: Field selectable 24 VDC or 12 VDC
- Power Failure Mode: Field selectable fail safe/fail secure
- Handing: Non-handed design provides greater flexibility
- Finish: BHMA 689/US SP28 Aluminum Sprayed, BHMA 695/ US SP313 Sprayed Duranodic, BHMA 622/ US19 Flat Black

**FEATURES AND BENEFITS**

- Designed for cylindrical applications
- Capable of 12 in-field configurations
- Three faceplates standard in every box
- Field selectable 12/24 voltage
- Non-handed, internal solenoid design
- Field selectable power failure mode (fail-safe/fail-secure)
- Adjustable keeper improves fit on tight door preps
- Options include 12 and 24 VAC to VDC rectifier kits
- Available in three finishes to suite with existing hardware
- Suitable for interior and exterior doors
- UL 1034 listed for burglary-resistant electric door strikes
- Meets ANSI/BHMA A156.31, Grade 1 for endurance and dynamic strength
- Meets ANSI/BHMA A156.31, Grade 2, 1300 lbs static strength
- Dynamic strength 70 ft-lbs



**exterior interior**

**P-HW-ACCSPR-01  
OUTSWING LATCH  
PROTECTOR**



**Push/Pull Plates**

**Available finishes**

**628 Satin Aluminum**

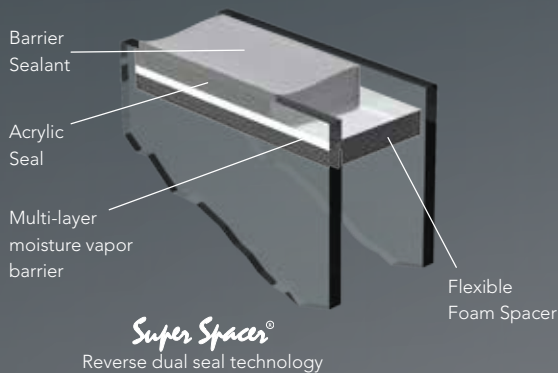
**613 Oil Rubbed Bronze**



# GLASS

## ComforTech™ Warm Edge Glazing System

Measurably improve thermal performance with our ComforTech warm edge glazing system. You'll enjoy better energy efficiency and a warmer glass edge.



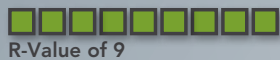
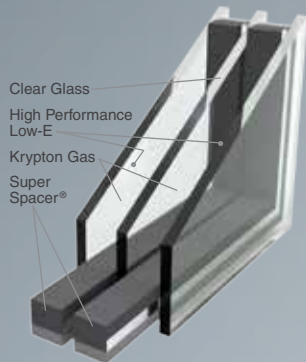
ComforTech Warm Edge Glazing System is included in all:

- All Decorative Glass Except for Tuscany
- Inspirations Art Glass
- Privacy Glass
- Clear Glass
- Simulated Divided Lites
- Internal & External Grids

## Glazing System Options

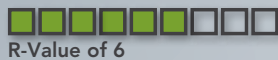
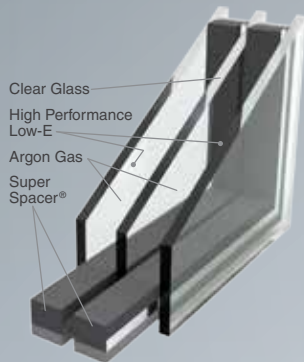
ComforTech™ TLK (Solarban® 60)

ComforTech™ TLK-UV (Solarban® 70XL)



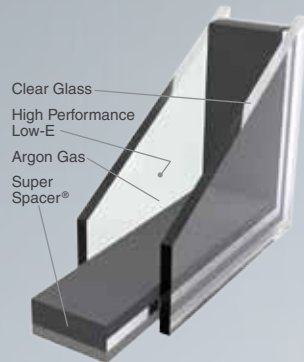
ComforTech™ TLA (Solarban® 60)

ComforTech™ TLA-UV (Solarban® 70XL)

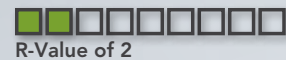


ComforTech™ DLA (Solarban® 60)

ComforTech™ DLA-UV (Solarban® 70XL)



ComforTech™ DC



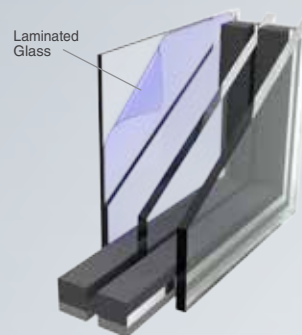
R-Value reflects properties of the glass only. Center of glass calculations are based upon software from Lawrence Berkeley National Laboratory.

## PVB Laminate Glass Options

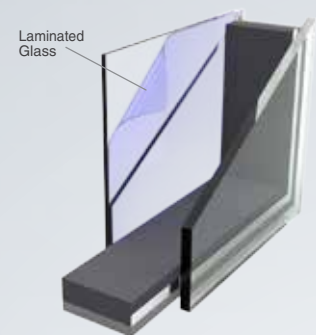
Add security and safety to your entry door with .090 PVB laminated glass. Our laminate glass is comprised of 1 piece of annealed PVB laminate having an overall thickness of 5/16" for ComforTech DC, DLA, TLA\* and TLK\* warm edge glazing systems.

ProVia's PVB Laminate glass is utilized with our Cellular PVC window trim and is positioned to the interior of the home.

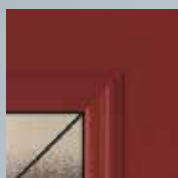
ComforTech™ TC, TLA or TLK



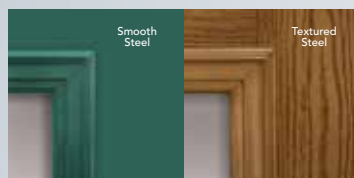
ComforTech™ DC or DLA



### TRIM OPTIONS



Cellular PVC window trim. Steel doors and sidelites only.



Aluminum window trim. (Approved for Impact Shield and Windborne-Debris applications.) Steel doors and sidelites only.

\* TLA and TLK require aluminum window trim.

# Decorative Glass



Essence



Cheyenne



Brilliance



Symphony



Berkley



Carrington



Tacoma



Somerset



Carmen



Barcelona



Lynford



Tranquility



Constance



Jewel



Laurence



Eclipse



Beveled



Gemstone



Tuscany



Florence



Esmond



Carlisle



Twilight



Privacy



Internal Blinds



Grids



Clear Glass



# GLASS

## Inspirations™ Art Glass

Inspirations Art Glass allows you to do just what the name suggests, let your doors and windows reflect the inspiration of your imagination with your choice of design and color.

### Features

#### Designs:

The process begins with conceptual design. Our twelve beautiful Inspirations Art Glass styles originated from the imagination of our in-house designers.

#### Resin Bead:

The design pattern is created on our computer software, and sent to a CNC machine which applies a resin bead to the surface of the glass in one of our four stylish colors.

#### Color Fill:

The color fill truly brings the glass to life. Five distinct color palettes are offered empowering you to perfectly reflect the personality of you and your home. Our craftsmen hand-apply this color fill to your glass.

#### Our Guarantee:

The resin bead and color fill are backed by our Lifetime Limited Warranty, and will not fade, blister or peel away from the glass.

### Designs



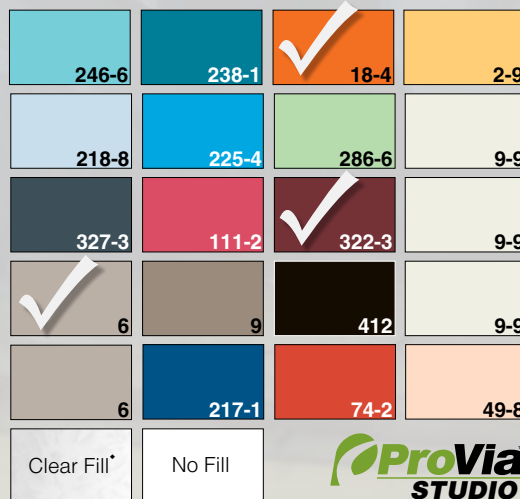
### Color Palettes



### Custom Color Palettes

Wishing you could rearrange colors? Now you can. With ProVia Studio, design your own unique color palette just the way you want it.

We also offer four resin bead colors: Silver, Black, Gunmetal and Clay. Combine your favorite color palette and bead color with your choice of design to show your personality on your entryways.



NOTE: Due to the translucent nature of glass and the printing process, these colors may vary slightly from actual product. For accurate color representation, ask to see glass samples.

\* increases transparency on textured glass and resembles aged glass



Custom Designs



# GLASS

## Fire Rated Glazing

### POSITIVE PRESSURE TESTING

In most fires, the extreme heat can cause drafts causing certain amounts of air pressure pushing against a door. In the past, fire codes required only a neutral (negative) fire test, there was no pressure on the door. This made it easier to pass the test but did not replicate true fire conditions. Today, almost all building codes require fire doors to have a positive pressure rating. Positive pressure testing is conducted in an environment that best replicates those conditions that are present during an actual fire scenario.

### 20 MINUTE FIRE RATING

- 20 minute label on slab and frame (Full Wood or Composite Frame)
- Fire rated Q-lon weatherstripping & 2 spring bomber hinges
- Wire glass option
- New Construction or ADA threshold options



### 90 MINUTE FIRE RATING

- Only available for doors with Hollow Metal Steel Frames or 18-Gauge Redi-Flex Adjustable Steel Frames
- 90 minute label on slab and frame
- Fire rated Q-lon weatherstripping & 2 spring bomber hinges
- Wire glass option



Wire glass with steel trim 5" x 20" x 1/4" daylight opening size is standard. Other sizes available upon request.



# WARRANTY

## 5 YEAR LIMITED WARRANTY

### BASIC DOOR & SIDELITE - 5 YEAR

The Fiberglass, 20-gauge Smooth & Woodgrain Textured Steel door and sidelite slabs are warranted not to shrink, warp, split, crack or delaminate for a period of five (5) years from the date of installation, provided they are installed without alteration and in accordance with applicable building codes.

### GLASS UTILIZING SUPER SPACER® - 10 YEAR

Somerset, Carrington, Constance, Esmond, Essence, Symphony, Eclipse, Tacoma, Laurence, Jewel, Gemstone, Florence, Tranquility, Cheyenne, Brilliance, Inspirations™

Art Glass, Barcelona Wrought Iron, Twilight, Taffeta, Chinchilla, Waterfall, Gluechip, Obscure Pebble, glass with Internal Grids, ComforTech™ DLA, TLA, TLK, and Clear glass units are warranted against seal failure and defects in material and workmanship (not including glass breakage) for a period of ten (10) years from date of installation.

### DECORATIVE GLASS & INTERNAL BLINDS - 5 YEAR

Decorative glass and internal blind units are warranted against seal failure and defects in material and workmanship for a period of five (5) years from date of installation.

### FULL WOOD DOOR FRAME & COMPONENTS - 1 YEAR / 90 DAY

The Full Wood Frame and brickmold for Doors and Sidelites, and Full Wood Transom Frames are warranted against defects in material and workmanship, and against rotting and decay for a period of one (1) year from date of installation, provided that (i) it is installed without alteration and in accordance with applicable building codes

and (ii) all exposed wood parts are protected with an aluminum frame cladding system, installed and caulked as specified by ProVia's installation instructions. For (i) inswing installations where all exposed wood parts are only protected with a quality latex paint topcoat or exterior grade wood stain instead of an aluminum frame cladding system or

(ii) an outswing frame, this time period will be limited to ninety (90) days from date of installation. The Sahara® threshold system, bottom sweep, hinges, weatherstripping,

PVC vinyl coated aluminum frame cladding, InVent™ Retractable Screen System and the sliding patio screen are warranted against defects in material and workmanship for a period of one (1) year from date of installation.

### COMPOSITE FRAME - 1 YEAR

The PermaTech™ Composite Frame and Brickmold for Doors, Sidelites, and Transoms are warranted against defects in material and workmanship, and against rotting and decay for a period of one (1) year from date of installation provided that (i) it is installed without alteration and in accordance with applicable building codes and (ii) it is installed and caulked as specified by ProVia's installation instructions and (iii) there is no storm door installed into the same opening and (iiii) if exterior frame & brickmold are painted, the paint must have a LRV of 57 or higher (where 100 is white and 0 is black).

The terms of this Limited Warranty excludes (i) weathering or discoloring of the unfinished white frame and brickmold and (ii) warping or failures of the frame and brickmold which are the result of or involve stress caused by localized application of heat, movement of building or building components, or expansion/contraction of building or building components.

### HOLLOW METAL & REDI-FLEX® STEEL FRAME - 1 YEAR

16 and 18-Gauge Hollow Metal and Redi-Flex® Adjustable Steel Frames are warranted against defects in material and workmanship for a period of one (1) year from date of installation.

### FINISHES - 1 YEAR / 90 DAY

Paint and stain finishes on the door slab and metal frame components are warranted against flaking, checking, blistering or peeling for a period of one (1) year from date of installation.

Stain finishes on the exterior components of the Full Wood Frame are warranted against flaking, checking, blistering or peeling for a period of ninety (90) days from date of installation.

### STANLEY® COMMERCIAL HARDWARE - LIFETIME / 3 YEAR / 1 YEAR

Stanley® Security Solutions, Inc. products (QCL 100 Series Heavy-Duty Cylindrical Locks, QDB 100 Series Heavy-Duty Deadbolts, QDC 300 Standard Duty Door Closers) are warranted against defects in material and workmanship for a limited lifetime for a period of the useful life of the building in which the products are originally installed.

Finishes shall be warranted for three (3) years excluding US10B/613 Oil Rubbed Bronze finish. Electrical products shall be warranted for one (1) year from the date of sale.

This warranty does not cover defects or damage arising from failure to perform normal maintenance, faulty installation, ordinary wear and tear, misuse, abuse, freight damage or application for which the product was not designed.

### STANLEY® EXIT DEVICES - 5 YEAR / 3 YEAR / 1 YEAR

Stanley® Security Solutions, Inc. products that are sold under the "PRECISION HARDWARE" trade name (Apex Series, Reliant Series, 800 Series Removable Mullions) are warranted against defects in material and workmanship for five (5) years from the date of sale.

Finishes shall be warranted for three (3) years excluding US10B/613 Oil Rubbed Bronze finish.

Electrical products shall be warranted for one (1) year from the date of sale.

This warranty does not cover defects or damage arising from failure to perform normal maintenance, faulty installation, ordinary wear and tear, misuse, abuse, freight damage or application for which the product was not designed.

### NORTON® CLOSERS - 15 YEAR

Norton® 1600 Series Door Closers are warranted against defects in material and workmanship for fifteen (15) years from the date of sale.

This warranty does not cover defects or damage arising from failure to perform normal maintenance, faulty installation, ordinary wear and tear, misuse, abuse, freight damage or application for which the product was not designed.

### LIFETIME FINISH HARDWARE & ACCESSORIES - 10 YEAR / 1 YEAR

Schlage® Lifetime Finish hardware, Trilennium™ Lifetime Finish Multi-Point Locking Hardware, Emtek® Lifetime Finish hardware, Kick Plates, Mail/Magazine Slots, Door

Knockers and Door Knocker Viewers with Lifetime Bright Brass, Satin Nickel and Aged Bronze finish are warranted against tarnishing for a period of ten (10) years from date of installation and warranted against mechanical defects for a period of one (1) year from date of installation. Schlage® Lifetime Finish Keypad Electronic Access Locksets and Deadbolts are warranted against electronic defects for a period of one (1) year from date of installation.

Emtek® handlesets and Colonial Door Knockers with an Oil Rubbed Bronze finish are not warranted against tarnishing.

### SCHLAGE® HARDWARE - 1 YEAR

Schlage® lock products with standard finish are warranted against mechanical defects and tarnishing for a period of one (1) year from date of installation.

### HARDWARE ACCESSORIES - 1 YEAR

Kick Plates, Mail/Magazine Slots, Door Knockers, Door Knocker Viewers, Peepsites, Decorative Long Trim Handles, and Push/Pull Plates with standard finish are warranted against mechanical defects and tarnishing for a period of one (1) year from date of installation.

### WINDOW TRIM - 1 YEAR

Window trim is warranted against defects in material and workmanship for a period of one (1) year from date of installation. This includes doors that are installed behind a storm door.

For complete warranty details go to [provia.com/warranty](http://provia.com/warranty)

## ProVia Also Offers Stone & Siding



### Architectural Manufactured Stone

ProVia's stone products represent some of the market's finest manufactured stone. Specially crafted and manufactured, each stone replicates its original to near perfection through a unique molding process, deep undercut and proprietary coloring processes.



### Insulated & Vinyl Siding

Recognized as the #1 best buy in siding and the #1 recommended siding by a leading consumer reporting publication, our siding products are second to none. You will love the ease of selling a full-range package of siding to customers that include many styles and color options, energy efficient insulated siding, accessories, trims and more.

For more information, contact Customer Service: call 877.389.0835 or email [custserv@provia.com](mailto:custserv@provia.com)



"To serve, by caring for details in ways others won't." It's not just our mission, but a way of letting our light shine every day at ProVia. We continually strive to put these words into action by providing unmatched quality and service. The P-icon symbolizes each employee's commitment to devoting the utmost care, pride and quality into each building product we manufacture...it's The Professional Way.



THE PROFESSIONAL WAY

Doors • Windows • Siding • Stone

[provia.com](http://provia.com)

© 2017 ProVia

P-MK-01760-17 1/17 5M

Distributed by:

